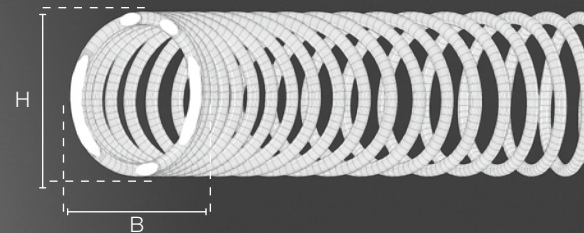
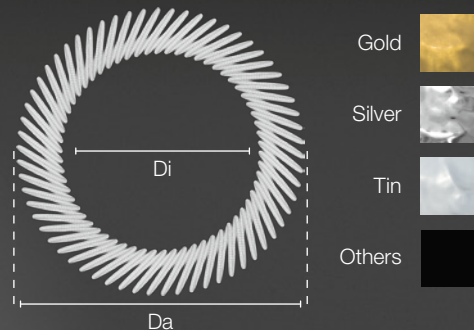
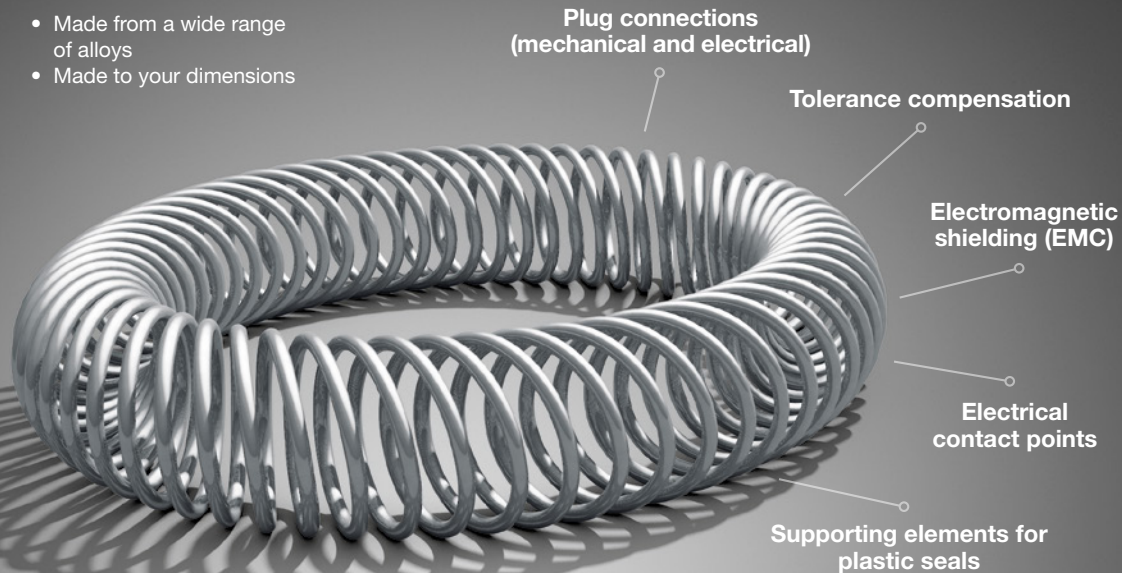


Welded COIL SPRINGS

Our All-Rounders

- Made from a wide range of alloys
- Made to your dimensions



● d Wire diameter 0.1 to 2.0 mm

HAAS

www.carl-haas.com

Member of the KERN-LIEBERS Group

Contact Elements Canted Coil Springs

Coil Springs

Slanted Coil Springs Contact Springs

Canted Coil Springs



Contact Elements Diametrical Springs

Contact Elements Coil Springs

Materials of the Highest Quality

First Class Processing

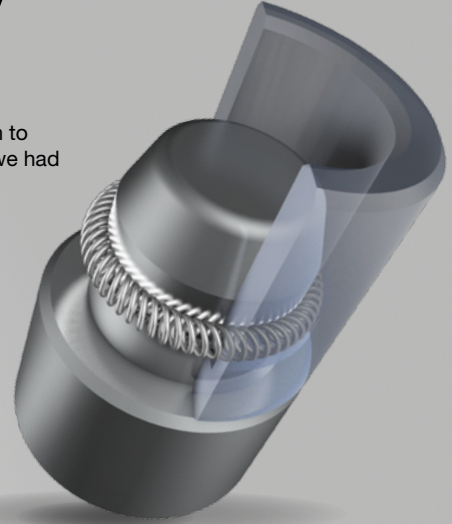
Over 100 years of company history demonstrates our precision craftsmanship down to the smallest detail. Springs have been manufactured at Carl Haas since 1904, and we had built our own lasers by 1972.

Carl Haas GmbH is the precision engineering specialist in the processing of wire and bands as well as in plastic composite technology. From semi-finished to finished products, from spiral springs through mechanical springs, micro-turned parts, components and modules for minimally invasive surgery and stamped-bent parts to complex plastic composite parts, everything is delivered from a single source.

This has made us a trusted partner in the automotive, medical engineering and precision mechanics industries. With some 230 staff (including our foreign production companies) we are a member of the KERN-LIEBERS Group of Companies based in Schramberg, Germany.

Your personal adviser will be happy to develop tailor-made solutions with you, 100 % customised to your application.

www.carl-haas.com
info@carl-haas.com



HAAS

Member of the KERN-LIEBERS Group